

300 AAC Blackout (7.62 x 35 mm) (300 BLK)

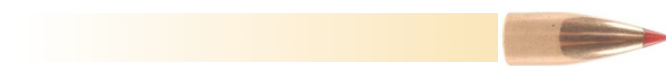
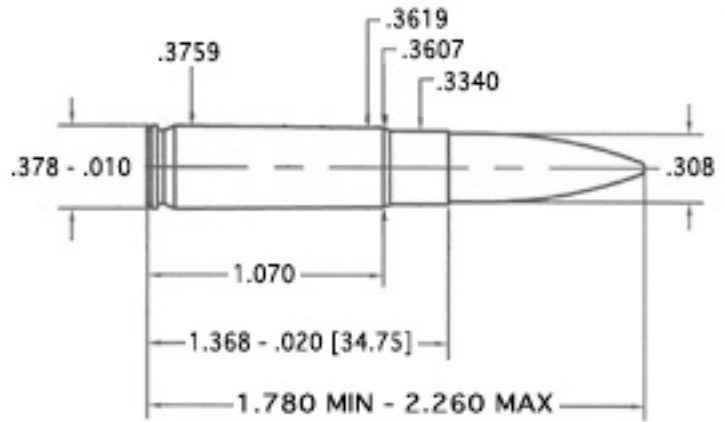
Objectives of the 300 AAC Blackout cartridge include:

- Create a reliable, compact 30 caliber solution for the AR platform
- Utilize existing magazines while retaining their full capacity
- Create the optimal platform for sound and flash suppressed fire
- Create compatible full power ammunition matching the 7.62x39 ballistics
- Work with subsonic and full power ammunition without requiring adjustable gas blocks
- Provide the ability to penetrate barriers with high-mass projectiles
- Provide all capabilities in a lightweight, durable, low recoiling package

The cartridge uses the same bolt, bolt carrier, receiver and standard magazines as for the AR-15/M-16/M-4. Previous cartridges proved the dimensions and performance, including the 300 Whisper, 300 Fireball and 300-221.

Cartridge cases can be formed from existing .223 cases, by cutting on a bandsaw, trimming and full-length sizing.

NOTE: Heavy 200 to 240 gr. bullets should be seated to proper length for Ogive-Magazine mating, 2.200" OAL or less.



110 gr. Hornady V-Max BC: 0.290
2.065" min OAL SD: 0.166

Powder	Sugg			Max		
	Starting Grains	Velocity FPS	Pressure	Load Grains	Velocity	Pressure
H110	18.8	-	-	20.0	2382	-
WIN 296	17.2	-	-	20.3	2260	-
IMR4227	17.6	-	-	19.5	2130	-
Enforcer	17.4	2182	-	19.3	2362	-
Trail Boss	4.5	-	-	6.3	1046	-
2400	14.1	-	-	17.1	-	-



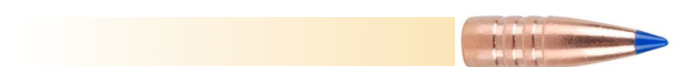
115 gr. Berger HP Flat Base BC: 0.296
2.070" min OAL SD: 0.172

Powder	Sugg			Max		
	Starting Grains	Velocity FPS	Pressure	Load Grains	Velocity	Pressure
H110	18.8	-	-	20.0	2348	-
Lil Gun	18.9	-	-	20.5	2393	-
IMR4227	17.6	-	-	19.5	2110	-
Enforcer	17.2	2072	-	19.1	2246	54500
Trail Boss	4.5	-	-	6.3	1044	-
WIN 296	18.8	-	-	20.0	2348	-



125 gr. Nosler BT, Speer TNT JHP BC: 0.366
2.075" min OAL SD: 0.188

Powder	Sugg			Max		
	Starting Grains	Velocity FPS	Pressure	Load Grains	Velocity	Pressure
H110	16.3	1800	-	17.8	2118	-
Lil Gun	16.9	-	-	18.0	2185	-
IMR4227	16.5	-	-	17.7	1965	-
Enforcer	16.5	2048	-	18.4	2224	54680
A5744	18.9	1984	-	21.0	2207	51979
A1680	19.4	1935	-	21.5	2126	39257



130 gr. Barnes T-TSX BC: 0.350
2.075" min OAL SD: 0.196

Powder	Sugg			Max		
	Starting Grains	Velocity FPS	Pressure	Load Grains	Velocity	Pressure
H110	17.9	-	-	19.0	2155	-
Lil Gun	18.3	-	-	19.5	2213	-
IMR4227	18.0	-	-	19.2	2008	-
Enforcer	14.4	1808	-	16.0	1998	54852
A5744	16.7	1718	-	18.5	1940	50574
A1680	17.0	1704	-	18.9	1923	44632

(7.62 x 35 mm) (300 BLK)

300 AAC Blackout



135 gr. Sierra Jacketed SP

2.090" min OAL

BC: 0.390

SD: 0.203

Powder	Sugg			Max Load Grains	Velocity	Pressure
	Starting Grains	Velocity FPS	Pressure			
H110	17.3	-	-	18.4	2109	-
Lil Gun	16.5	-	-	18.0	2127	-
IMR4227	17.1	-	-	18.2	1960	-
Enforcer	15.3	1850	-	17.0	2010	54715
A5744	17.8	1860	-	19.5	2050	54950
A1680	19.4	1895	-	21.5	2085	51650



150 gr. Sierra HPBT Match King

2.095" min OAL

BC: 0.417

SD: 0.226

Powder	Sugg			Max Load Grains	Velocity	Pressure
	Starting Grains	Velocity FPS	Pressure			
H110	13.8	1500	-	17.0	1800	-
A5744	17.8	1862	-	19.8	2073	54951
IMR4227						
Enforcer	15.3	1851	-	17.0	2012	54635
A1680	19.4	1895	-	21.6	2086	51553
Lil Gun	8.8	1103	-	15.6	1715	-



165 gr. Sierra Spitzer BT

2.195" min OAL

BC: 0.404

SD: 0.248

Powder	Sugg			Max Load Grains	Velocity	Pressure
	Starting Grains	Velocity FPS	Pressure			
H110	13.4	1500	-	15.6	1650	-
Lil Gun	8.8	1080	-	10.2		
IMR4227						
A5744	16.7	1695	-	18.5	1895	54120
A1680	14.3	1300	-	19.7	1840	54268



208 gr. Hornady A-Max

2.200" OAL

BC: 0.648

SD: 0.313

Powder	Sugg			Max Load Grains	Velocity	Pressure
	Starting Grains	Velocity FPS	Pressure			
H110	10.7	1100	-	13.2	1350	-
Lil Gun	9.0	1025	-	10.2		
IMR4227	10.5	1010	-	10.5	1010	-
A5744	12.5	1280	-	13.9	1455	53750
			subsonic	11.0	1092	32850
A1680	12.6	1100	-	14.4	1458	50200
			subsonic	10.9	1089	26589



220 gr. Sierra HPBT Match King

2.190" OAL

BC: 0.629

SD: 0.331

Powder	Sugg			Max Load Grains	Velocity	Pressure
	Starting Grains	Velocity FPS	Pressure			
H110	9.9	1050	-	9.9	1050	-
Lil Gun	8.7	1015	-	9.9	-	-
IMR4227	10.5	-	1014	10.5	1014	-
A5744	10.7	1081	37267	11.4	1216	42598
A1680	10.9	1085	32296	12.0	1263	40075
H4198	11.5	1036	-	11.5	1036	-



240 gr. Sierra HPBT Match King

2.185" OAL

BC: 0.711

SD: 0.361

Powder	Sugg			Max Load Grains	Velocity	Pressure
	Starting Grains	Velocity FPS	Pressure			
H110	9.5	-	-	9.8	-	-
Lil Gun	8.5	-	-	9.9	-	-
WIN 296	9.2	-	-	9.9	-	-
2400	9.5	-	-	9.8	-	-
Blue Dot	9.0	-	-	9.7	-	-